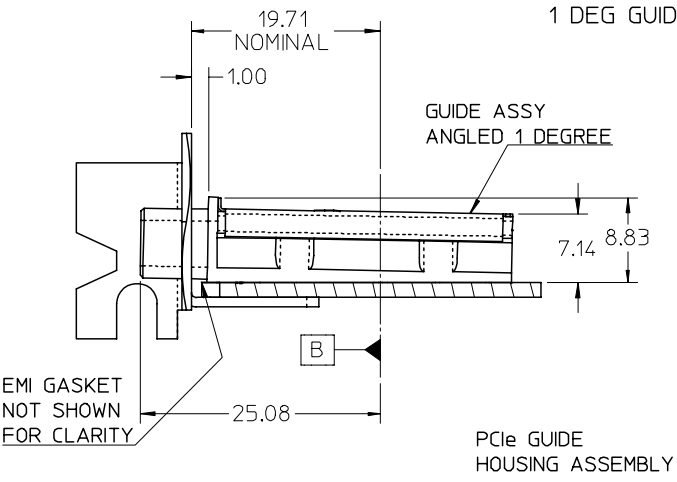


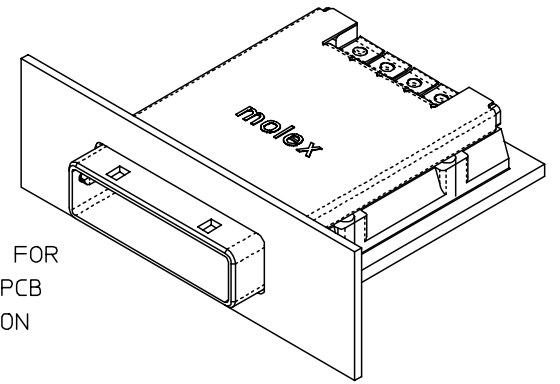
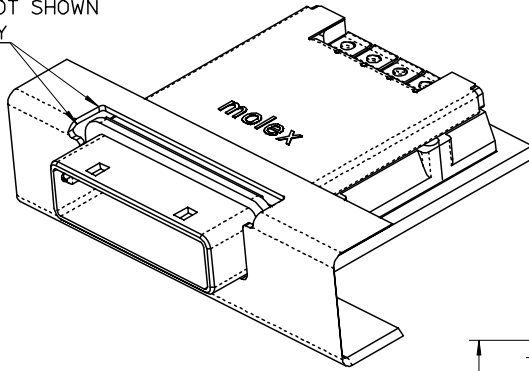
- NOTES:
- REF. PCI EXPRESS CARD ELECTROMECHANICAL SPECIFICATION, REV 1.0a FOR IO BRACKET WINDOW LOCATION.
 - PCB AND IO BRACKET SHOWN FOR REFERENCE ONLY.
 - REFER TO SHEET 2 FOR ATCA GUIDE HOUSING ASSEMBLY. SEE SHEET 3 FOR SCREEN LENGTH + TORQUE SPEC.
 - GUIDE HOUSING MOUNTING THREAD= M2 X 0.4
 - PCB NOTCH IS SHOWN FOR PCI COMPLIANT BOARD.
 - THIS PRODUCT MEETS THE RESTRICTION OF HAZARDOUS SUBSTANCES IN ELECTRICAL AND ELECTRONIC EQUIPMENT (RoHS) DIRECTIVE (2002/95/EC)
 - PLATE GROUND PAD WITH EMERSON SILVER OR GOLD.
 - MATES WITH MOLEX 4X CABLE SERIES 74546-040X.
 - GUIDE HOUSING PEGS FOR ALIGNMENT ONLY. "DO NOT SOLDER"



iPass™ is a trademark of Molex.

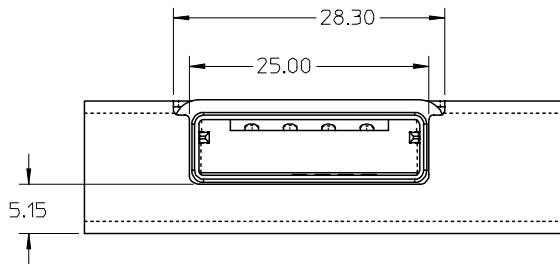
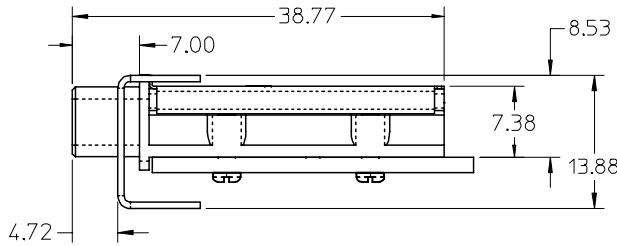
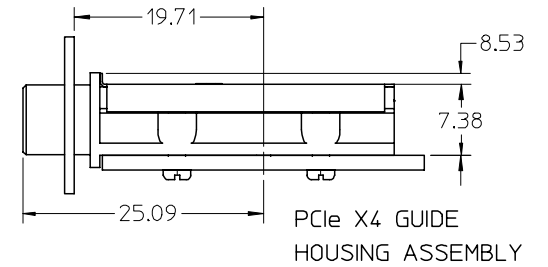
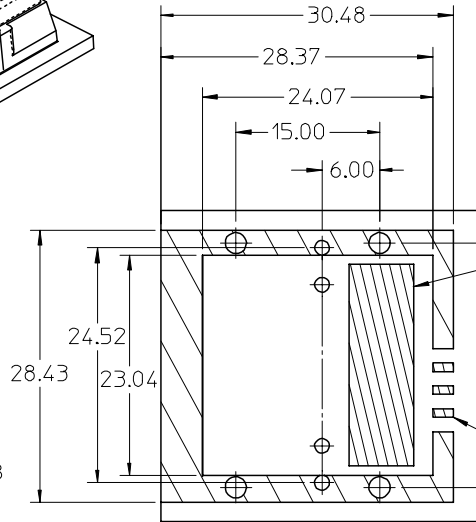
ENTER DESCRIPTION EC NO: USY2007-0169 DRWNS: NAVARRO 2006/11/08 CHKD: BREED 2006/11/13 APPR: DDOYE 2006/11/14 G	QUALITY SYMBOLS ▽=0 ▽=0	GENERAL TOLERANCES (UNLESS SPECIFIED)		DIMENSION STYLE MM ONLY		SCALE 2:1	DESIGN UNITS METRIC	THIRD ANGLE PROJECTION
		4 PLACES ± --- ± ---	DRAWN BY BAREED	DATE 2005/02/03	TITLE IPASS X4 EMI GUIDE HOUSING ASSEMBLY			
		3 PLACES ± --- ± ---	CHECKED BY DDOYE	DATE 2005/02/03	MOLEX INCORPORATED			
		2 PLACES ± 0.05 ± --- 1 PLACE ± 0.10 ± --- ANGULAR ± 1/2°	APPROVED BY DDOYE	DATE 2005/02/03	MATERIAL NO. SEE TABLE	DOCUMENT NO. SD-74540-400	SHEET NO. 1 OF 3	
DRAFT WHERE APPLICABLE MUST REMAIN WITHIN DIMENSIONS		THIS DRAWING CONTAINS INFORMATION THAT IS PROPRIETARY TO MOLEX INCORPORATED AND SHOULD NOT BE USED WITHOUT WRITTEN PERMISSION						

GASKETS NOT SHOWN FOR CLARITY



REF. SD-75586-001 FOR RECEPTACLE AND PCB LAYOUT INFORMATION

REF. SHEET 3 FOR GROUND PAD ALLEY LAYOUT INFORMATION



STANDARD APPLICATION SHOWN USING 0 DEGREE GUIDE HOUSING ASSEMBLY

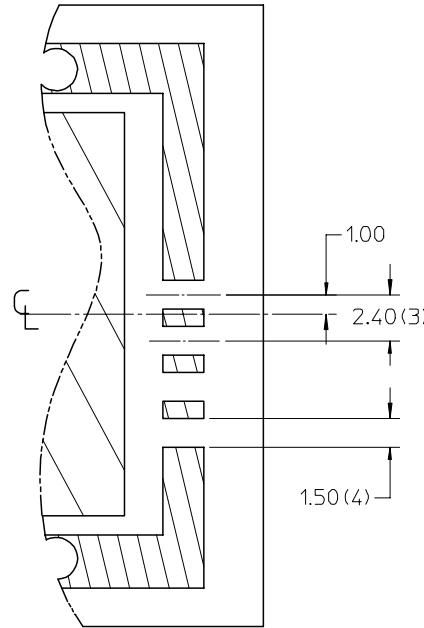
iPass™ is a trademark of Molex.

ADVANCED TCA APPLICATION SHOWN USING 0 DEGREE GUIDE HOUSING ASSEMBLY

ENTER DESCRIPTION EC NO: USY2007-0169 DRWN: SNAVARRO CHKD: BREED APPR: DDOYE	QUALITY SYMBOLS ▽=0 ▽=0	GENERAL TOLERANCES (UNLESS SPECIFIED)		DIMENSION STYLE MM ONLY		SCALE 2:1	DESIGN UNITS METRIC	THIRD ANGLE PROJECTION
		4 PLACES ± --- ± ---	DRAWN BY BAREED	DATE 2005/02/03	TITLE IPASS X4 EMI GUIDE HOUSING ASSEMBLY			
		3 PLACES ± --- ± ---	CHECKED BY DDOYE	DATE 2005/02/03				
		2 PLACES ± 0.05 ± ---	APPROVED BY DDOYE	DATE 2005/02/03	MOLEX INCORPORATED			
1 PLACE ± 0.10 ± ---	MATERIAL NO. SEE TABLE		DOCUMENT NO. SD-74540-400	SHEET NO. 2 OF 3				
DRAFT WHERE APPLICABLE MUST REMAIN WITHIN DIMENSIONS		THIS DRAWING CONTAINS INFORMATION THAT IS PROPRIETARY TO MOLEX INCORPORATED AND SHOULD NOT BE USED WITHOUT WRITTEN PERMISSION						

P/N	DESCRIPTION	GEN
745400400	4X EMI Guide Housing Assembly - PCIe / 1 Deg	Gen 1
745400500	4X EMI Guide Housing Assembly - ATCA / 0 Deg	Gen 1

PCB THICKNESS	SCREW LENGTH	TORQUE (IN LBS)
1.6 (.063")	5MM	2.3
2.38 (.093")	6MM	2.3
3.2 (.125")	6MM	2.3
	+4MM MAX	2.3



PARTIAL1
SCALE 4:1
GROUND PAD ALLEY
LAYOUT INFORMATION



ENTER DESCRIPTION EC NO: USY2007-0169 DRWN: SNAVARRO CHKD: BREED APPR: DDOYE	2006/11/08 2006/11/13 2006/11/14	DESCRIPTION REV	QUALITY SYMBOLS ▽=0 ▽=0	GENERAL TOLERANCES (UNLESS SPECIFIED)		DIMENSION STYLE MM ONLY		SCALE 1:1	DESIGN UNITS METRIC	THIRD ANGLE PROJECTION			
				4 PLACES ± --- ± ---	3 PLACES ± --- ± ---	2 PLACES ± 0.05 ± ---	1 PLACE ± 0.10 ± ---	ANGULAR ±1/2°	DRAWN BY BAREED	DATE 2005/02/03	TITLE IPASS X4 EMI GUIDE HOUSING ASSEMBLY		
				DRAFT WHERE APPLICABLE MUST REMAIN WITHIN DIMENSIONS		SEE TABLE	APPROVED BY DDOYE			DATE 2005/02/03	MOLEX INCORPORATED		
						MATERIAL NO. SEE TABLE	DOCUMENT NO. SD-74540-400		SHEET NO. 3 OF 3				